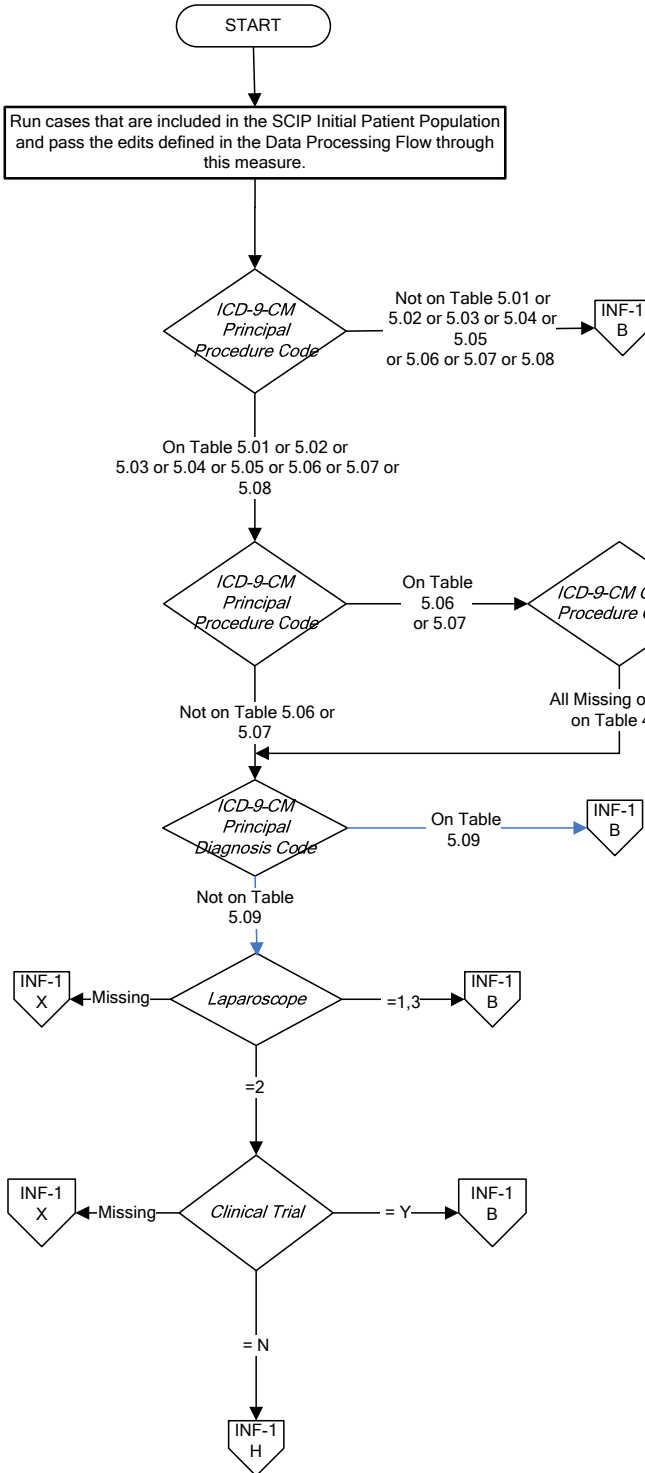


# SCIP-Inf-1: Prophylactic Antibiotic Received Within One Hour Prior to Surgical Incision

**Numerator:** Number of surgical patients with prophylactic antibiotics initiated within one hour prior to surgical incision (two hours if receiving vancomycin or fluoroquinolone).

**Denominator:** All selected surgical patients with no evidence of prior infection.

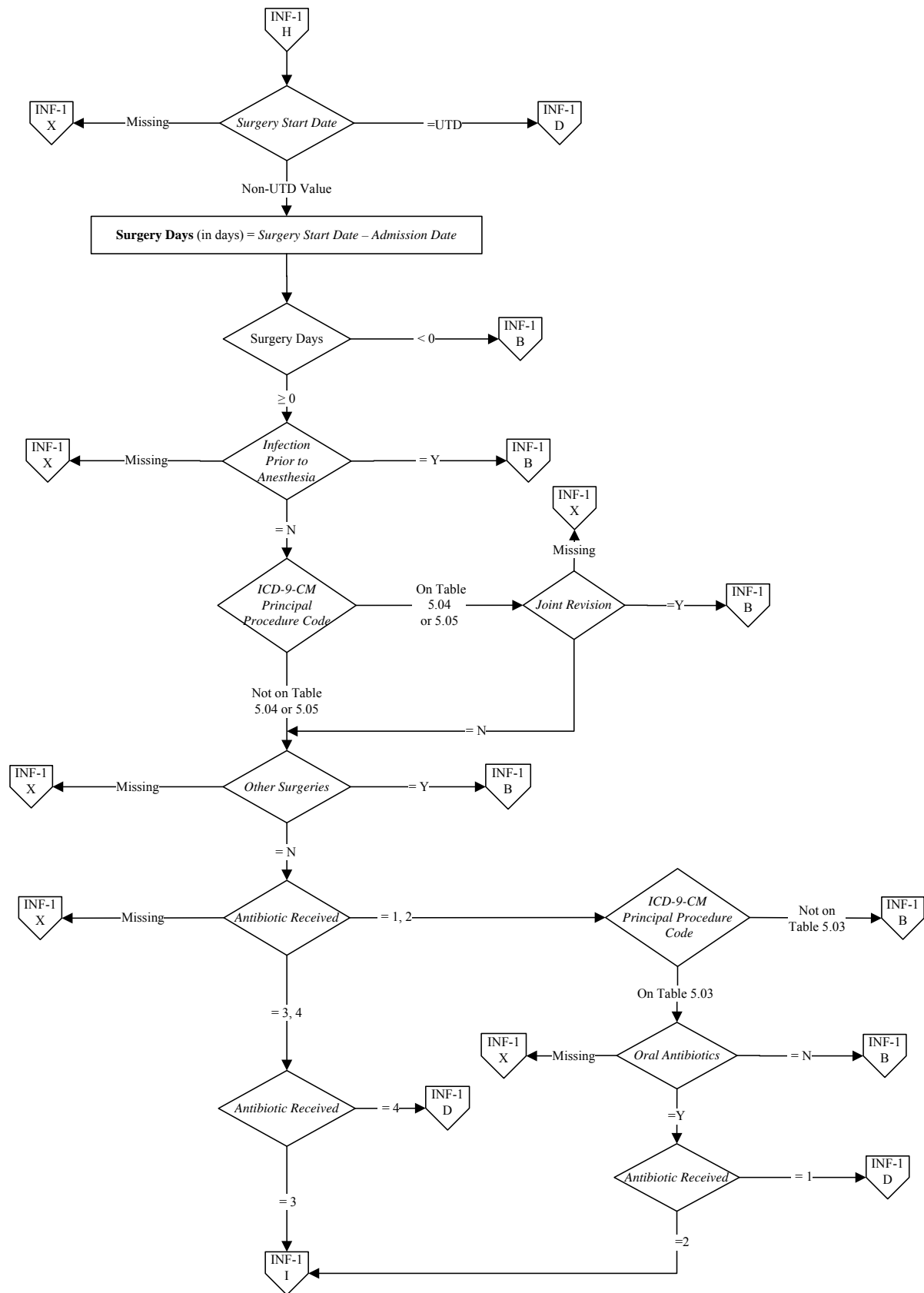
**Variable Key:**  
 Antibiotic Days I  
 Antibiotic Timing I  
 Surgery Days

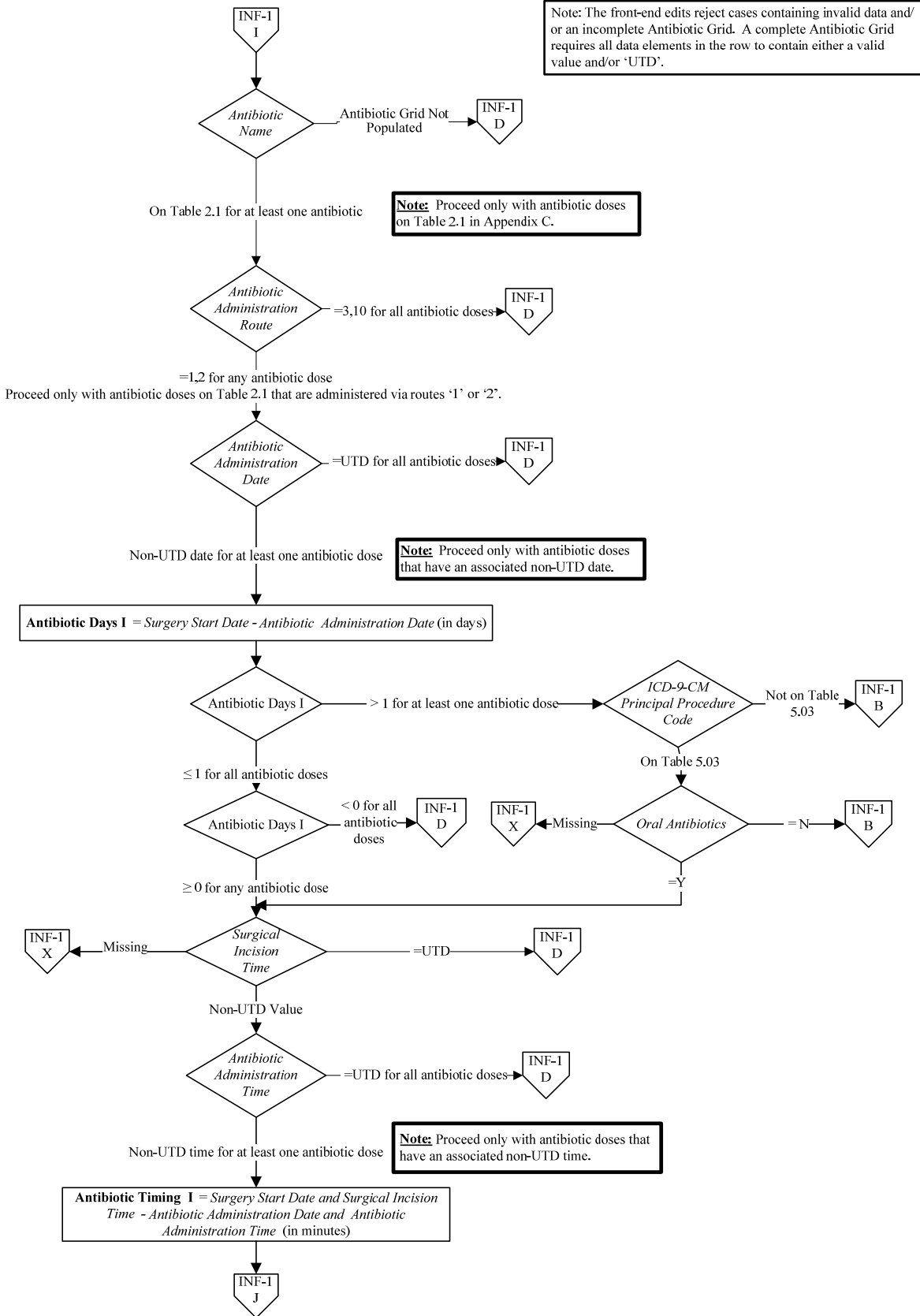


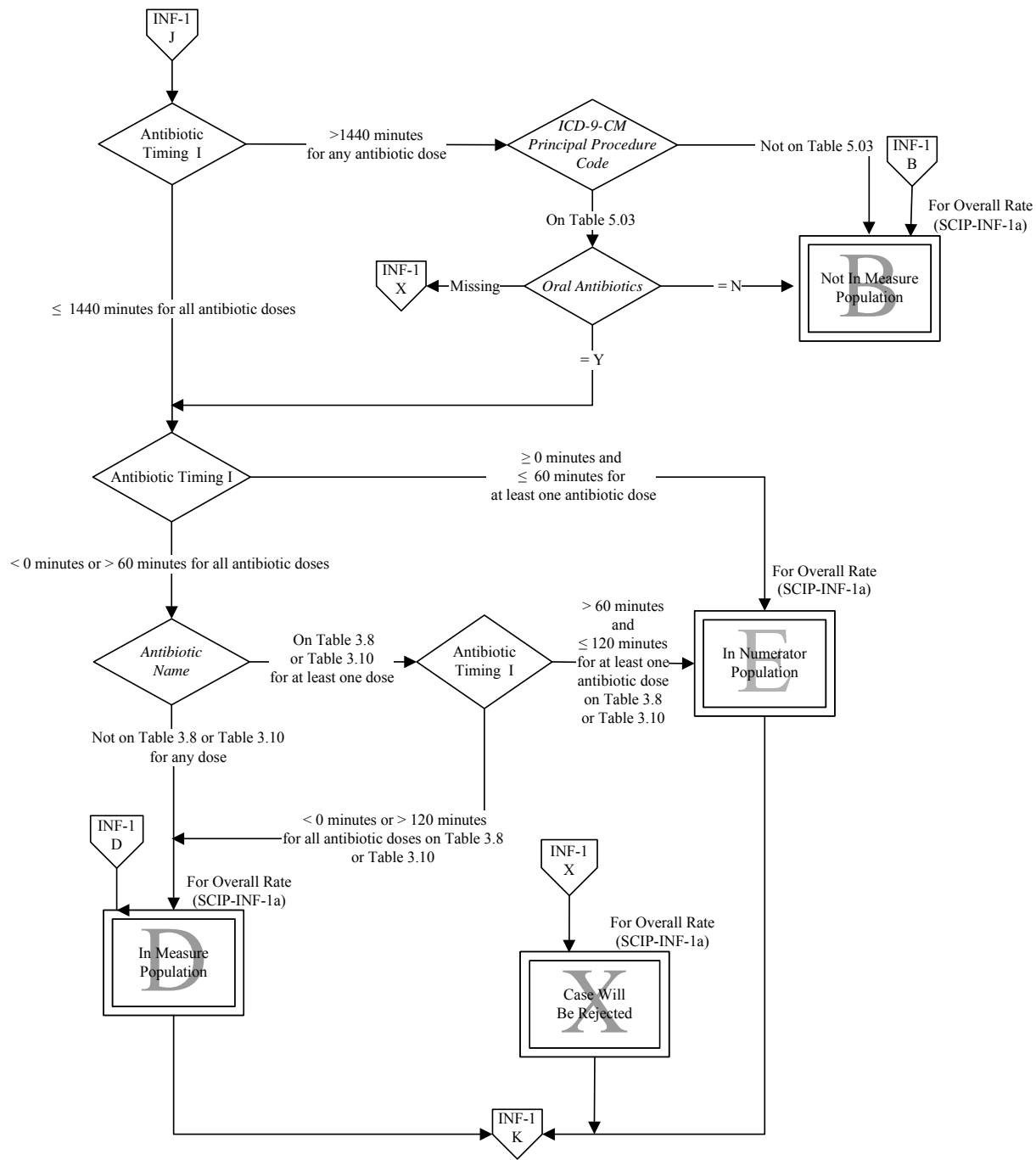
**Stratification Table:**

Se#	Stratified By	*Principal Procedure Code (Allowable Value)
SCIP-INF1a	Overall Rate	**
SCIP-INF1b	CABG	Table 5.01
SCIP-INF1c	Other Cardiac Surgery	Table 5.02
SCIP-INF1d	Hip Arthroplasty	Table 5.04
SCIP-INF1e	Knee Arthroplasty	Table 5.05
SCIP-INF1f	Colon Surgery	Table 5.03
SCIP-INF1g	Hysterectomy	Table 5.06 Or 5.07
SCIP-INF1h	Vascular Surgery	Table 5.08

\* This refers to the data element 'ICD-9-CM Principal Procedure Code'. Each case will be stratified according to the principal procedure code, after the Category Assignments are completed and the overall rate is calculated.  
 \*\* No allowable value exists for the overall rate. It includes all procedures on Tables 5.01 to 5.08.







STOP here for CMS. CONTINUE to "K" for The Joint Commission.

